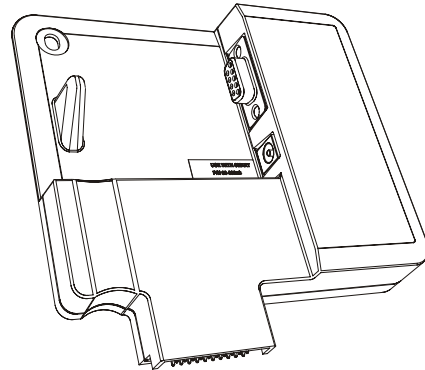


SMART™



***Service Parts
Diagrams***

**For Model:
RS232**

Service Parts Diagrams Revision History

Revision 1 - November, 2006

- New document

Revision 1 - April, 2009

- Changed 93-053 to 93-00654-20

Standard Warranty Terms

Base product: One-year limited equipment warranty

First Customer Ship: October, 2005

SMART Technologies

3636 Research Road NW
Calgary, AB T2L 1Y1
CANADA

Support +1.403.228.5940 or Toll Free 1.866.518.6791 (Canada/U.S.)

Support Fax +1.403.806.1256

ServiceParts@smarttech.com www.smarttech.com



Service Parts Diagrams for the RS232

Ordering Parts 1
RS232 Parts 2

Ordering Parts

Customers

To order any of the parts in these service parts diagrams, contact your local reseller.
To find a reseller near you, visit www.smarttech.com/where.

Dealers and Distributors

For specific technical and pricing enquiries in regards to these diagrams please contact our service parts department.
Pricing is also available on-line via the SOURCE website (source.smarttech.com).

E-mail: serviceparts@smarttech.com
Phone: 1.888.42.SMART
International: +1.403.245.0333

RS232 Parts



Item	Part No.	Qty	Description
1	20-00651-20	1	Module, RS232
2	30-00915-20	1	Screw, No. 8 1/2", Phillips, pan head, for plastics NOTE: For attaching the RS232 module to the SMART Board interactive whiteboard.
3	93-00527-00	1	Cable, serial, DB9 male to DB9 female, 25' (7.6 m)
4	93-051	1	Cable, power, North America, 8' (2.4 m)
4	93-055	1	Cable, power, United Kingdom, 8' (2.4 m)
4	93-056	1	Cable, power, Australia, 8' (2.4 m)
4	93-063	1	Cable, power, South Africa, 8' (2.4 m)
4	93-054	1	Cable, power, Europe, 8' (2.4 m)
4	93-00654-20	1	Cable, power, Japan, 8' (2.4 m)
5	60-00028-20	1	Power supply, 12V DC, 2.5A, universal switching